

ORECK[®] XL[®]

S I M P L Y A M A Z I N G[®]

F R A N Ç A I S

GUIDE D'UTILISATION PAGE 5

E S P A Ñ O L

GUIA DEL USUARIO PAGE 9



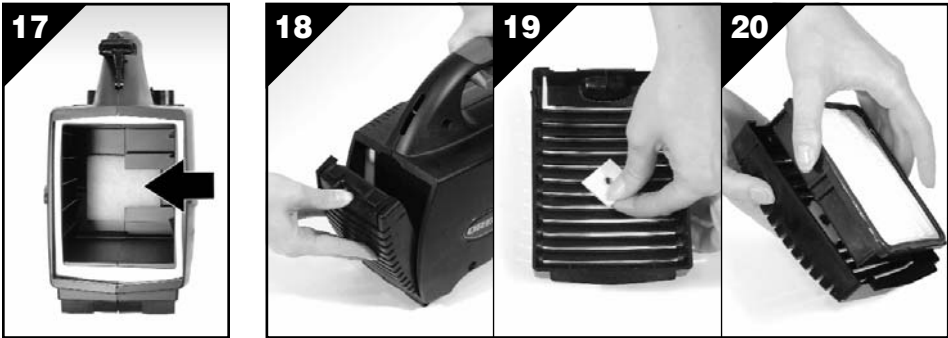
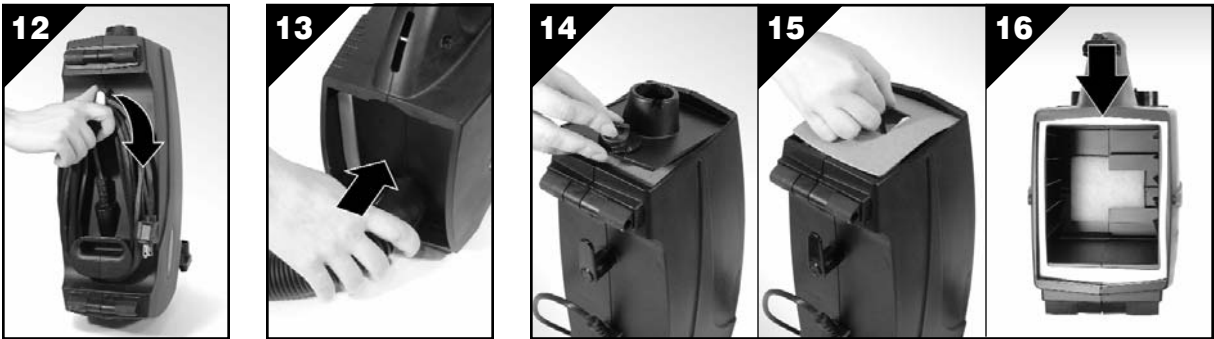
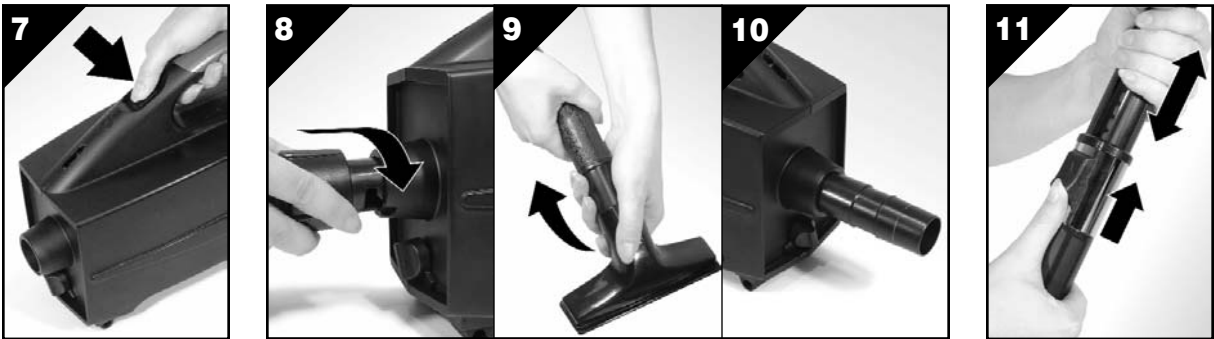
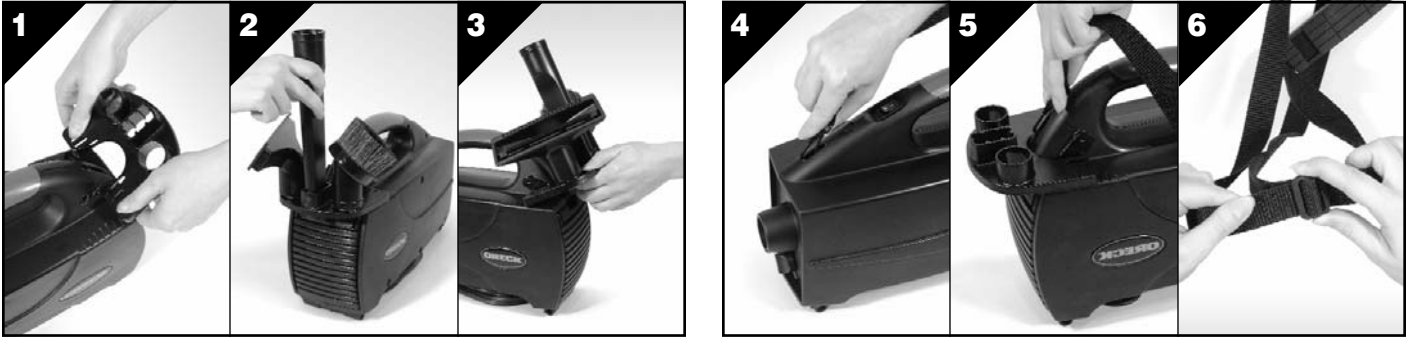
USER'S GUIDE
**COMPACT
CANISTER
VACUUMS**

BB1000™
series

• **IMPORTANT** •
SAVE THIS BOOKLET!

Includes:

- Safety Warnings
- Parts List
- Operating Instructions
- Maintenance
- Warranty
- Trouble Diagnosis
- Accessories List



**BEFORE OPERATING
CLEANER, READ ALL
INSTRUCTIONS IN THIS
MANUAL CAREFULLY.**

Table of Contents

Table of Contents, Safeguards,
Important Safety Instructions page 2

Warranty, Parts List, Accessories page 3

Assembly, To Operate, Polarized Plug Notice,
Maintenance page 4

Maintenance & Customer Service,
Troubleshooting Guide page 5

Français Guide D'utilisation page 6

Español Guia Del Usuario página 10

Safeguards



WARNING: Unplug cord from electrical outlet before servicing.

- **IMPORTANT:** Make sure filter bag is in place. Do not operate cleaner without filter bag. Damage to motor may occur.
- Be sure bag gasket is in place. If the white bag gasket is damaged or lost, replace at once.
- For best results, change disposable filter bag regularly even if it is not completely full. An extremely dirty bag or a bag close to full will affect the suction of the cleaner and can create excessive motor heat that could damage the motor. A good practice is to change filter bag every 30 days even if it is not full.
- Do not pick up moist material or liquids.
- Clean your vacuum cleaner with a damp (not wet) cloth in the disposable bag cavity and the outside of canister unit.
- **MOTOR PROTECTION SYSTEM:** If fine materials such as soot, cement, plaster dust, copy machine powder, etc. are picked up, the bag surface may seal and cause the motor to shut off to avoid over-heating. If this happens, turn the switch off and unplug the cleaner. Replace filter bag. Check and clear any clogs in hose or accessories. After approximately 30 min. the motor will have cooled and the cleaner will be ready to use.

Note: The cleaner must remain unplugged for 30 minutes for motor to cool and system to reset.

**IMPORTANT
SAFETY INSTRUCTIONS**

When using an electrical appliance, basic precautions should always be followed, including the following:

**READ ALL INSTRUCTIONS BEFORE
USING THIS VACUUM CLEANER**



WARNING

**To reduce the risk of fire,
electric shock, or injury:**

- Do not leave appliance unattended when plugged in. Unplug from outlet when not in use and before servicing.
- Do not use outdoors or on wet surfaces.
- Do not allow to be used as a toy. Close attention is necessary when used by or near children.
- Use only as described in this manual.
- Do not use with damaged cord or plug. If appliance is not working as it should, has been dropped, damaged, left outdoors, or dropped into water, return it to a service center or call customer service at:
US: 1-800-989-3535
Canada: 1-888-676-7325
- Do not pull or carry by cord, use cord as a handle, close door on cord, or pull cord around sharp edges or corners. Do not run appliance over cord. Keep cord away from heated surfaces.
- Do not unplug by pulling on cord. To unplug, grasp the plug, not the cord.
- Do not handle plug or appliance with wet hands.
- Do not put any object into openings. Do not use with any opening blocked; keep free of dust, lint, hair and anything else that may reduce air flow.
- Keep hair, loose clothing, fingers and all parts of body away from openings and moving parts.
- Do not use to pick up anything that is burning or smoking, such as cigarettes, matches, or hot ashes.
- Do not use without filter bag assembly in place.
- Turn off all controls before unplugging.
- Use extra care when cleaning on stairs.
- Do not use to pick up flammable or combustible liquids, such as gasoline, or use in areas where they may be present.

SAVE THESE INSTRUCTIONS
Household Use Only

Warranty

ORECK MANUFACTURING COMPANY: (ORECK gives you the following limited warranty for this product only if it was originally purchased for use, not resale, from ORECK or an ORECK Authorized Retail Dealer.)

ORECK will repair or replace, free of charge, to the original purchaser, any part which is found to be defective in material or workmanship within three (3) years of the date of purchase; 10 years on housing. This limited warranty applies to normal domestic use. Any commercial use of this product will void this limited warranty.

Parts subject to normal wear are not covered by this limited warranty.

This limited warranty does not apply to any part subjected to accident, abuse, commercial use, alteration, misuse, damage caused by fire or act of God, the use of voltages other than indicated on the serial number plate of this product or service of this product by other than ORECK or an ORECK Factory Authorized Service Center.

ORECK does not authorize any person or representative to assume or grant any other warranty obligation with the sale of this product.

ORECK's limited warranty is valid only if you retain proof of purchase from ORECK or an ORECK Authorized Retail Dealer for this product. If you purchase this product from any other source, your purchase is "AS IS," which means ORECK grants you no warranty, and that you, not ORECK, assume the entire risk of the quality and performance of this product, including the entire cost of any necessary servicing or repairs of any defects.

ORECK's liability for damages to you for any costs whatsoever arising out of this statement of limited warranty shall be limited to the amount paid for this product at the time of original purchase, and ORECK shall not be liable for any direct, indirect, consequential or incidental damages arising out of the use or inability to use this product.

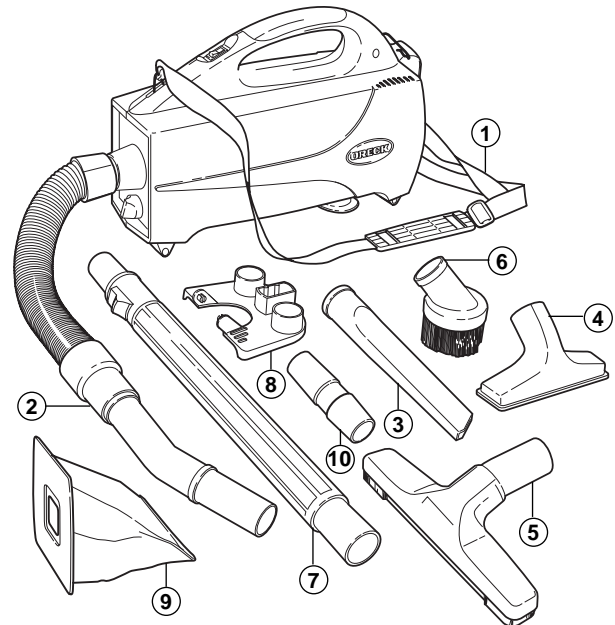
Some states do not allow the exclusion or limitation of incidental or consequential damages, so the above limitation or exclusion may not apply to you.

ALL EXPRESS AND IMPLIED WARRANTIES FOR THIS PRODUCT, INCLUDING IMPLIED WARRANTIES OF MERCHANTABILITY AND FITNESS FOR A PARTICULAR PURPOSE, ARE LIMITED IN DURATION TO THE WARRANTY PERIOD, AND NO WARRANTIES, WHETHER EXPRESS OR IMPLIED, WILL APPLY AFTER THIS PERIOD.

Some states do not allow limitations on the duration of implied warranties, so the above limitation may not apply to you.

This warranty gives you specific legal rights, and you may also have other rights which vary from state to state.

Parts List



1. Adjustable shoulder strap
2. Long, extendable, flexible hose
3. Crevice tool
4. Upholstery tool
5. Horsehair bare floor and wall tool
6. Horsehair dusting brush
7. Adjustable extension wand
8. On-board tool caddy
9. Paper filter bags
10. Tool adapter tube for fitting tools directly to vacuum when not using hose.
 - HEPA filter (installed)
 - Scent cartridge (not shown)

Accessories

Replacement Hypo-Allergenic Filter Bags (12 pk. with 1 Micro Filter)	Part No. PKBB12DW
Replacement Micro Filter	Part No. 72005-01
Replacement HEPA Filter	Part No. HF1000
Replacement White Bag Gasket	Part No. 72017-02
Wire Tool Rack	Part No. BBRACK
Vinyl Tool Rack	Part No. CADDYBB
Fresh Air® Scent Cartridges	
Notes of Vanilla® 12pk.	Part No. FA1PK
Spring Mullberries® 12pk.	Part No. FA2PK
Blooming Jasmine® 12pk.	Part No. FA3PK

To order new parts or accessories call:

US: 1-800-989-3535
Canada: 1-888-676-7325

Assembly

Attach Caddy and Insert Tools

fig. 1 Locate caddy clip slots at top rear corners of canister handle. Place appliance on firm, non-slip surface or hold in your lap. Grasp handle firmly. Place one of caddy clip tabs inside slot on one side of handle and stretch the other tab around handle until the opposite tab inserts in slot.

fig. 2 Insert crevice tool, brush and fabric tool into caddy in spaces provided.

fig. 3 Caddy will lift up 90° to allow access to the HEPA filter cover.

Attach Shoulder Strap

fig. 4 Clamp one end of shoulder strap in front slot located at front of handle.

fig. 5 Clamp opposite end of shoulder strap in slot at back of handle.

fig. 6 Adjust length by pulling strap through clip.

IMPORTANT: Before using shoulder strap, pull both ends to be sure it is secure.

Polarized Plug Notice

This product is equipped with a polarized alternating current line plug (a plug having one blade wider than the other). This plug will fit into the power outlet only one way. This is a safety feature. If you are unable to insert the plug fully into the outlet, try reversing the plug. If the plug should still fail to fit, contact an electrician to replace the obsolete outlet. Do not defeat the purpose of the polarized plug.

To Operate

Plug cord into electrical outlet.

Power Switch

fig. 7 Push power switch to "ON" (I) position.

Hose and Tool Installation

fig. 8 The flexible hose uses a Shurlock™ locking system that prevents hose removal unless intended. To install hose, align "J" slot in hose coupling with tab inside the suction port. Insert hose in port. Twist collar clockwise to lock hose coupling in port. Twist counterclockwise and pull to remove hose.

fig. 9 The adjustable extension wand and cleaning tools supplied with your Oreck XL compact vacuum lock together with friction. Twist and push to be sure they lock tightly when installing. Twist and pull to remove.

fig.10 When installing tools directly to blower or suction port without using hose, tool adapter tube must be used.

Adjustable Extension Wand

fig. 11 To adjust extension wand, press release button and pull inner tube to desired length. Tube will lock when button is released. To shorten length, press release button and push inner tube.

For Easy Cord Storage

fig. 12 Wrap cord around the cord wrap and cord dump located on bottom of the canister. To release cord, twist the cord dump.

Blower Port

fig. 13 Remove HEPA Filter cover and filter at back of machine. Firmly insert flexible hose into exhaust port.

Maintenance

Changing the Filter Bag

fig. 14 Use only genuine ORECK XL filter bags. Stand unit on its back. Twist knob counterclockwise to release and lift out front plate.

fig. 15 Remove used bag and insert fresh bag. The cardboard rim fits smoothly into the recessed top. Align tabs on front plate with slots in housing and replace the front plate. Close unit by turning knob clockwise.

fig. 16 IMPORTANT: The white bag gasket glued in the housing must be in place or unit will not operate properly. Replace if needed.

NOTE: The disposable inner filter bag must be replaced once a month even if it is **not** full. Change it more often if it is used in extremely dirty areas. **Increase the cleaning power of your vacuum by changing the bag often.**

Replacing the Micro Filter

Remove filter bag by following the *Changing the Filter Bag* instructions.

fig. 17 Remove old micro filter from bottom inside unit. Replace with new filter.

NOTE: A replacement filter is supplied in each package of 12 ORECK XL filter bags or you may order filters separately.

Using a HEPA-Filter and Scent Cartridge

fig. 18 Remove HEPA Filter cover at back of machine by pressing down in top slot and folding back the cover. Lift cover to remove.

fig. 19 Insert Fresh Air™ Scent Cartridge on tab located in center of the filter cover.

fig. 20 Place the HEPA Filter in the filter cover.

fig. 18 Replace the HEPA Filter assembly on the canister by placing the bottom lip of the cover in the inside slot of the canister and closing the cover until the top latch is locked.

NOTE: It is recommended to replace the scent cartridge when the inner filter bag is replaced.

Replace the HEPA filter every **6 months**. Replace more often if vacuum is used to pick up fine particles or in extremely dirty areas.

Maintenance and Customer Service

Your ORECK COMPACT CANISTER VACUUM is a product of precise engineering. The motor bearings are permanently lubricated and should not be oiled. If you require additional information or have problems with your ORECK appliance, you may call ORECK customer service at:

US: 1-800-989-3535
Canada: 1-888-676-7325

Please specify the model number and serial/code number which can be found on the data plate on the bottom of the vacuum.

Save your sales or purchase slip. Should your ORECK appliance require warranty service in the U.S.A., present this slip to the Authorized Service Center as your proof of purchase date, or, in Canada, call customer service.

Troubleshooting Guide

PROBLEM	POSSIBLE SOURCE	AREAS TO CHECK
Cleaner Will Not Run	1. Not plugged in properly 2. No electricity in wall outlet. 3. Motor protector tripped. 4. Needs service.	1. Be sure cleaner is firmly plugged into wall outlet. 2. Check electrical source—fuse or circuit breaker. 3. See Motor Protection System page 2. 4. Take to service center or call for nearest service center.
Vacuum Will Not Pick Up Or Has Low Suction	1. Filter bag is full. 2. Hose/wand tool is clogged. 3. Air leak due to missing or damaged gasket.	1. Replace filter bag. See "To Replace Filter Bag," page 4. 2. Remove obstructions. 3. Replace gasket See page 4.
Tools/Wands Will Not Stay Together	1. Proper friction fit not being obtained.	1. Push and turn.

ALL OTHER SERVICING SHOULD BE DONE BY AN ORECK AUTHORIZED SERVICE CENTER.

CALL CUSTOMER SERVICE HOT LINE
US: 1-800-989-3535 Canada: 1-888-676-7325

Whenever calling, please be sure to have your model and serial number from data plate.

ORECK[®] XL

TOUT SIMPLEMENT ÉTONNANT[®]

GUIDE D'UTILISATION

F R A N Ç A I S



BB1000[™]

NOIR AVEC DES ROUES

• IMPORTANTE •
CONSERVEZ CE FASCICULE

Comprend:
 Avertissements de sécurité
 Garantie
 Nomenclature
 Mode d'emploi
 Entretien
 Guide de dépannage
 Accessoires

**AVANT D'UTILISER L'ASPIRATEUR,
LIRE ATTENTIVEMENT TOUTES LES
INSTRUCTIONS DE CE MANUEL.**

Table des matières

Table des matières, Protections,
Consignes de sécurité importantes page 6

Garantie, Nomenclature accessoire, Accessoires page 7

Assemblage, Avis de fiche polarisée, Mode d'emploi,
Entretien page 8

Entretien et service à la clientèle,
Guide de dépannage page 9

Español Guia Del Usuario página 9

Protections



AVERTISSEMENT : Avant d'exécuter cette opération, débranchez le cordon d'alimentation de la prise murale.

- **IMPORTANT:** Sassurer que le sac filtrant soit en place. Ne pas utiliser l'aspirateur sans le sac filtrant. Le moteur pourrait se trouver détrioré.
- Sassurer que le joint du sac soit en place. Si le joint de sac blanc est abîmé ou perdu, le remplacer sans attendre.
- Pour obtenir de meilleurs résultats, changer régulièrement le sac filtrant jetable même s'il n'est pas complètement plein. Un sac extrêmement sale ou presque plein affectent l'aspiration de l'appareil et peuvent faire surchauffer le moteur et donc l'abîmer. Il est conseillé de changer le sac filtrant tous les 30 jours même s'il n'est pas plein.
- Ne pas aspirer de matériaux humides ni liquides.
- Nettoyer l'aspirateur avec un chiffon humide (pas mouillé) dans la cavité du sac jetable et sur l'extérieur du traneau.
- **SYSTÈME DE PROTECTION DU MOTEUR:** Lorsque des particules fines comme la suie, le ciment, la poussière de plâtre, la poudre de photocopieur, etc. sont aspirées, la surface du sac risque de se boucher et entraîne l'extinction du moteur pour éviter sa surchauffe. Dans ce cas, arrêtez l'aspirateur et débranchez-le. Remplacez le sac de filtration, vérifiez que le tuyau et les accessoires ne sont pas bouchés. Environ 30 minutes plus tard, le moteur aura suffisamment refroidi et l'aspirateur est prêt à fonctionner à nouveau.

N.B. : L'aspirateur doit rester débranché pendant 30 minutes pour que le moteur puisse refroidir et le système se remettre zéro.

**CONSIGNES DE SÉCURITÉ
IMPORTANTES**

Lorsque vous utilisez un appareil électroménager, vous devez toujours prendre certaines précautions de base, y compris les suivantes:

**LIRE TOUTES LES INSTRUCTIONS AVANT
D'UTILISER CET ASPIRATEUR**



AVERTISSEMENT

**Pour réduire les risques d'incendie,
d'électrocution et de blessure:**

- Ne jamais laisser l'appareil branché sans surveillance. L'appareil doit être débranché après chaque utilisation et avant toute réparation.
- Ne jamais utiliser à l'extérieur ou sur une surface humide.
- Ne doit pas servir de jouet. Une surveillance attentive est nécessaire lorsque l'appareil est utilisé par ou à proximité d'un enfant.
- Utilisez uniquement selon les instructions figurant dans ce manuel. Utilisez uniquement les accessoires recommandés par le fabricant.
- Ne jamais utiliser si le cordon d'alimentation ou la fiche de connexion sont endommagés. Si l'appareil ne fonctionne pas normalement, s'il a été échappé, s'il a été endommagé, s'il a été laissé à l'extérieur ou s'il est tombé dans l'eau, il faut le retourner à un centre de service après-vente ou appeler le service à la clientèle au

US: 1-800-989-3535

Canada: 1-888-676-7325

- Ne jamais tirer ou transporter l'appareil par le cordon d'alimentation, ni utiliser le cordon en guise de poignée, ni fermer une porte sur le cordon, ni tirer le cordon autour d'un coin à angle pointu. Garder le cordon à l'écart des surfaces chaudes.
- Ne pas faire avancer l'appareil sur le cordon.
- Ne jamais débrancher l'appareil en tirant sur le cordon. Pour débrancher, saisir la fiche et non le cordon.
- Ne jamais manipuler la fiche de connexion et l'appareil avec les mains humides.
- Ne jamais insérer d'objet dans les ouvertures. Ne pas utiliser si des ouvertures sont bloquées. Elles doivent être exemptes de poussière, de charpie, de cheveux et de toute autre substance pouvant réduire le débit d'air.
- Garder les cheveux, les vêtements amples, les doigts et toutes les parties du corps à bonne distance des ouvertures et des pièces mobiles.
- Ne jamais utiliser pour ramasser des substances chaudes ou fumantes, comme des cigarettes, des allumettes ou des cendres chaudes.
- Ne jamais utiliser sans sac filtrant.
- Avant de débrancher, arrêter toutes les commandes.
- Redoubler de prudence lors du nettoyage d'escaliers.
- Ne jamais utiliser pour ramasser des liquides inflammables ou combustibles, comme de l'essence à moteur ou à briquet.
- Ne jamais utiliser l'appareil dans un espace clos où se dégage des vapeurs inflammables, explosives ou toxiques provenant d'une peinture à l'huile, d'un diluant à peinture, de substances antimites, ni dans un espace où il y a des poussières inflammables.
- Cet appareil ne doit jamais servir à ramasser des substances toxiques comme la Javel, les produits de débouchage, l'essence, etc.

CONSERVER CES INSTRUCTIONS

Usage ménager uniquement

Garantie

ORECK MANUFACTURING COMPANY : (La société ORECK vous offre avec ce produit la garantie limitée suivante, uniquement s'il a été acheté auprès de la société ORECK ou d'un revendeur autorisé ORECK pour l'utiliser et non pour le revendre.)

La société ORECK offre à l'acheteur original du produit de réparer ou remplacer sans frais toute pièce s'avérant présenter un défaut de matériau ou de main-d'oeuvre dans un délai de (3) ans après la date d'achat, le boîtier étant quant à lui garanti (10) ans. Cette garantie limitée est valable pour un usage domestique normal. N'importe quelle utilisation commerciale de ce produit videra cette garantie limitée.

Les pices sujettes une usure normale ne sont pas couvertes par cette garantie limite.

Les courroies d'entraînement, les balais rotatifs, les ampoules électriques, les sacs jetables et les autres pièces sujettes à l'usure ne sont pas couvertes par cette garantie limitée.

Cette garantie limitée ne couvre pas les pièces victimes d'un accident, d'un usage abusif, à l'utilisation commerciale d'abus, d'une modification, d'une mauvaise utilisation, de dommages causés par un incendie ou une catastrophe naturelle, ainsi que les appareils utilisés avec une tension électrique autre que celle indiquée sur leur plaque signalétique, ni les appareils réparés à l'extérieur de la société ORECK ou d'un centre de service après-vente ORECK.

La société ORECK n'autorise aucune personne et aucun représentant à accorder ou offrir d'autres clauses de garantie avec ce produit.

La garantie limitée ORECK est valable uniquement si vous conservez une preuve d'achat de la société ORECK ou d'un revendeur autorisé ORECK. Si vous achetez ce produit ailleurs, vous l'achetez «en l'état», ce qui signifie que la société ORECK ne vous accorde alors aucune garantie. Dans ce cas, vous assumez tout le risque relatif à la qualité et aux performances de ce produit, ce qui comprend tous les frais de réparation et de correction d'éventuels défauts.

La responsabilité de la société ORECK pour d'éventuels dommages subis par vous ou relativement aux frais qui découlent de cet énoncé de garantie limitée ne peut dépasser le montant payé pour ce produit lors de son achat original. La société ORECK ne peut être tenue responsable de tout dommage direct ou indirect relatif à l'utilisation ou à l'incapacité d'utiliser ce produit.

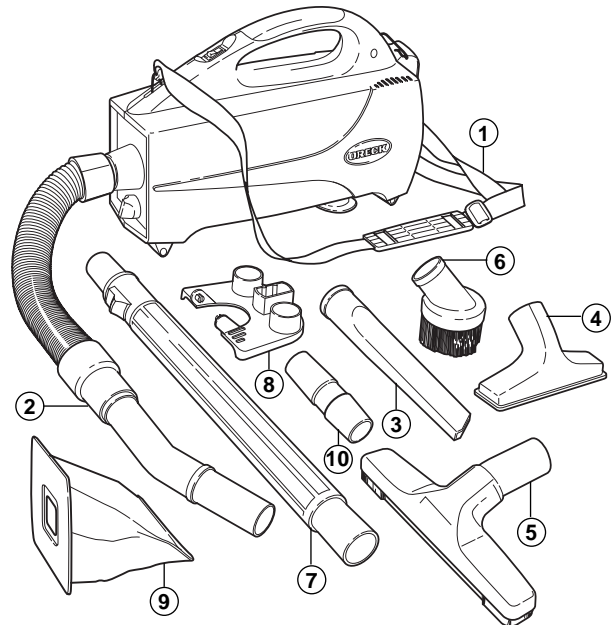
Puisque certains États ou provinces interdisent l'exclusion ou la restriction des dommages indirects, il est possible que l'exclusion ou la restriction ci-dessus ne s'applique pas à vous.

Toute garantie expresse ou implicite relative à ce produit, y compris les garanties implicites de qualité commerciale ou de convenance à un usage quelconque, s'applique pendant une durée équivalente à la période de garantie et aucune garantie expresse ou implicite ne pourra s'appliquer après cette période.

Puisque certains États ou provinces ne permettent pas les restrictions sur la durée des garanties implicites, il est possible que la restriction ci-dessus ne s'applique pas à vous.

Cette garantie vous accorde des droits juridiques précis et il est également possible que vous ayez d'autres droits dépendant de votre lieu de résidence.

Nomenclature Accessoire



1. Bandouliere réglable
2. Long tuyau, flexible et extensible
3. Suceur plat
4. Suceur pour tapisseries
5. Outil en crin de cheval pour sol nu et mur
6. Brosse à épousseter en crin de cheval
7. Tube d'extension réglable
8. Porte-accessoires intgr
9. Sacs en papier filtrant
10. Tube adaptateur d'accessoire pour adapter les accessoires directement sur l'aspirateur lorsque le boyau nest pas utilis.
 - Filtre Haute Efficacité pour les Particules d'Air (installé)
 - Cartouche odorante (non montrée)

Accessoires

Sacs hypo-allergenic filtrants traits de recharge (paquet de 12 avec 1 micro filtre)	Part No. PKBB12DW
Micro filtre de recharge	Part No. 72005-01
Filtre HEPA de recharge	Part No. HF1000
Joint de sac blanc de recharge	Part No. 72017-02
Porte-accessoires mtallique	Part No. BBRACK
Porte-accessoires en vinyle	Part No. CADDYBB
Cartouches odorantes Fresh Air®	
Notes of Vanilla® 12pk.	Part No. FA1PK
Spring Mullberries® 12pk.	Part No. FA2PK
Blooming Jasmine® 12pk.	Part No. FA3PK

Pour commander de nouvelles pices ou de nouveaux accessoires, prire d'appeler le:

US: 1-800-989-3535
Canada: 1-888-676-7325

Assemblage

Fixer le porte-accessoires et insérer les accessoires

- schéma 1 Localisez les emplacements de verrouillage du chariot sur les angles arrière gauche de la poignée de réservoir. Placez l'appareil sur une surface ferme et non glissante ou tenez-le sur vos genoux. Maintenez fermement la poignée. Placez une des languettes de verrouillage dans un emplacement d'un côté de la poignée, et étirez l'autre languette autour de la poignée pour l'insérer dans l'emplacement opposé.
- schéma 2 Insérez le suceur plat, la brosse et l'outil pour tissu dans les logements prévus du chariot.
- schéma 3 Le chariot peut s'ouvrir à 90° pour donner accès au couvercle de filtre HEPA.

Bandoulière

- schéma 4 Fixez une extrémité de la courroie d'épaule dans la fente avant devant la poignée.
- schéma 5 Fixez l'extrémité opposée de la courroie d'épaule dans la fente derrière la poignée.
- schéma 6 Réglez la longueur en tirant la courroie dans la boucle.

IMPORTANT: Avant d'utiliser la courroie d'épaule, tirez sur ses deux extrémités pour vous assurer qu'elle est bien fixée.

Avis de fiche polarisée

Ce produit est équipé d'une fiche polarisée à courant alternatif (avec une patte plus large que l'autre). Cette fiche ne peut être insérée dans une prise électrique que dans un seul sens. Il s'agit d'un dispositif de sécurité. Si vous n'arrivez pas à insérer complètement la fiche dans un sens, essayez de la retourner. Si la fiche n'entre toujours pas, demandez à un électricien de remplacer votre ancienne prise. Ne tentez pas d'altérer la fiche polarisée.

Mode d'emploi

Brancher le cordon dans une prise électrique.

Commutateur

- schéma 7 Pousser le commutateur sur la position ON (marche) (I).

Installation d'accessoire et boyau

- schéma 8 Le tuyau flexible utilise un système de blocage Shurlock™ qui l'empêche de se déboîter involontairement. Pour installer le tuyau, alignez l'ouverture en "J" dans le raccord de tuyau avec le loquet dans l'orifice d'aspiration. Insérez le tuyau dans l'orifice. Tournez la bague en vissant pour bloquer le raccord de tuyau sur l'orifice. Pour enlever le tuyau, tournez en dévissant et tirez.
- schéma 9 Le tube d'extension réglable et les outils de nettoyage fournis avec votre aspirateur compact Oreck XL se montent ensemble par friction. Tournez et enfoncez les outils fermement à l'installation. Tournez-les et tirez-les pour les enlever.
- schéma 10 Quand vous installez les outils directement sur l'orifice d'aspiration ou de soufflage sans utiliser le tuyau, il faut utiliser le tube d'adaptation d'outil.

Tube d'extension réglable

- schéma 11 Pour régler le tube d'extension, appuyez sur le bouton de déblocage et sortez le tube intérieur de la longueur voulue. Le tube va se bloquer quand vous relâchez ce bouton.

Pour raccourcir la longueur, appuyez sur le bouton de blocage et repoussez le tube intérieur.

Rangement facile du cordon secteur

- schéma 12 Enroulez le cordon autour de son rembobineur-dérouleur situé en bas du réservoir. Pour relâcher le cordon tournez le dérouleur.

Port de soufflante

- schéma 13 Enlevez le couvercle du filtre HEPA et le filtre à l'arrière de l'appareil. Insérez fermement le tuyau flexible dans l'orifice de soufflage.

Entretien



AVERTISSEMENT : Avant d'exécuter cette opération, débranchez le cordon d'alimentation de la prise murale.

Changement de sac filtrant

- schéma 14 N'utilisez que des sacs de filtrage Oreck XL d'origine. Posez l'appareil sur son fond. Tournez le bouton en dévissant pour relâcher et sortir la plaque avant.
- schéma 15 Déposez le sac usagé et insérez à la place un sac neuf. La collerette en carton exactement sur l'encastrement du dessus. Alignez les taquets de la plaque frontale avec les emplacements du châssis et remettez-la en place. Fermez l'appareil en tournant le bouton dans le sens du vissage.
- schéma 16 **IMPORTANT:** le joint de sac blanc collé sur le châssis doit être en place sinon l'appareil ne fonctionnera pas correctement. Remplacez-le si nécessaire.

NOTE: Le sac de filtrage interne jetable doit être remplacé une fois par mois même s'il n'est pas plein. Remplacez-le plus souvent si l'appareil est utilisé en environnement très pollué. **Un changement fréquent de sac augmente la puissance effective de l'aspirateur.**

Remplacement du micro filtre

Enlevez le sac de filtrage en suivant les instructions spécifiques ci-dessus.

- schéma 17 Enlevez le vieux micro filtre du fond de l'appareil. Remplacez-le par un neuf.

NOTE: Un filtre de rechange est livré avec chaque paquet de 12 sacs de filtrage Oreck XL, ou bien vous pouvez commander ce filtre séparément. .

Utilisation de filtre HEPA et de cartouche odorante

- schéma 18 Enlevez le couvercle de filtre HEPA à l'arrière de l'appareil en appuyant sur l'encoche du haut et en repliant le couvercle. Levez le couvercle pour le déposer.
- schéma 19 Insérez une cartouche odorante Fresh Air™ dans l'ergot situé au milieu du couvercle de filtre.
- schéma 20 Remettez le filtre HEPA dans le couvercle de filtre.
- schéma 18 Remettez l'assemblage de filtre HEPA sur le réservoir en plaçant la lèvre inférieure du couvercle dans la fente intérieure du couvercle et en le refermant jusqu'à enclenchement de son verrouillage.

NOTE: Il est recommandé de remplacer la cartouche odorante au moment du remplacement du sac à poussière intérieur.

Remplacez le filtre HEPA tous les 6 mois. Remplacez-le plus souvent si l'aspirateur est utilisé pour récupérer des particules fines ou en emplacements très sales.

Entretien et service à la clientèle

L'aspirateur transeau compact Oreck est le fruit d'études précises. Les paliers du moteur sont lubrifiés de façon permanente et ne doivent pas être huilés. Si vous avez besoin d'informations supplémentaires ou si vous avez des problèmes avec votre appareil ORECK, vous pouvez appeler le service à la clientèle ORECK au:

US: 1-800-989-3535

Canada: 1-888-676-7325

Veuillez indiquer le numéro de modèle et le numéro de série/code apparaissant sur la plaque signalétique derrière l'aspirateur.

Conservez votre reçu de vente ou de caisse. Si votre appareil ORECK a un jour besoin d'une réparation sous garantie aux États-Unis, présentez ce coupon au centre autorisé de service après-vente comme preuve d'achat datée. Au Canada, appelez le service à la clientèle.

Guide de dépannage

PROBLÈME	CAUSE POSSIBLE	VÉRIFICATIONS
L'aspirateur ne fonctionne pas	<ol style="list-style-type: none"> 1. Mal branché. 2. Pas d'électricité dans la prise murale. 3. Protection du moteur déclenchée. 4. Besoin d'être réparé. 	<ol style="list-style-type: none"> 1. S'assurer que l'aspirateur soit fermement branché dans une prise murale. 2. Vérifier le fusible ou le disjoncteur de la source électrique. 3. Voir le Système de protection du moteur la page 6. 4. Ramener au centre de réparation ou appeler pour connaître le centre d'entretien le plus proche.
L'aspirateur n'aspire pas ou n'aspire que faiblement	<ol style="list-style-type: none"> 1. Le sac filtrant est plein. 2. Bouchon/raccord bouché 3. Fuite d'air en raison d'un joint défectueux ou manquant. 	<ol style="list-style-type: none"> 1. Remplacer le sac filtrant. Voir Remplacer le sac filtrant, page 8. 2. Déboucher 3. Remplacer le joint. Voir page 8.
Les accessoires et les raccords ne restent pas solidaires	<ol style="list-style-type: none"> 1. Pas de bon raccord par friction. 	<ol style="list-style-type: none"> 1. Pousser et tourner.

TOUTES LES AUTRES RÉPARATIONS DOIVENT ÊTRE FAITES DANS UN CENTRE DE RÉPARATION AUTORISÉ.

APPELEZ LE SERVICE TÉLÉPHONIQUE GRATUIT D'ASSISTANCE À LA CLIENTÈLE
US: 1-800-989-3535 Canada: 1-888-676-7325

Lorsque vous téléphonez, n'oubliez pas de noter le numéro de modèle et le numéro de série de l'appareil, lesquels figurent sur sa plaque signalétique.

ORECK[®] XL

SIMPLY AMAZING[®]

GUIA DEL USUARIO

E S P A Ñ O L

BB1000™



ASPIRADORAS COMPACTAS

• IMPORTANT •
¡GUARDE ESTE FOLLETO!

Incluye:

Advertencias de seguridad

Garantía

Lista de piezas

Instrucciones de operación

Mantenimiento

Diagnóstico de problemas

Accesorios

ANTES DE OPERAR LA ASPIRADORA, LEA CON CUIDADO TODAS LAS INSTRUCCIONES INCLUIDAS EN ESTE MANUAL.

Indice

Indice, Información de seguridad,	
Instrucciones importantes	página 10
Garantía, Lista de accesorios, Accesorios	página 11
Ensamblaje, Avis de fiche polarisée,	
Instrucciones de operación, Mantenimiento	página 12
Mantenimiento y servicio a clientes,	
Guía para identificación de problemas,	página 13

Información de seguridad



ADVERTENCIA: Desconecte el cordón de la toma eléctrica antes de dar servicio.

- **IMPORTANTE:** Asegurarse que la bolsa de filtro está colocada. No usar la aspiradora sin la bolsa de filtro. Se puede dañar el motor.
- Asegurarse que la empaquetadura de la bolsa está colocada. Si la empaquetadura blanca está dañada o se perdió, colocar una nueva inmediatamente.
- Para obtener mejores resultados, cambiar la bolsa de filtro desechable regularmente incluso si no está totalmente llena. Una bolsa muy sucia o una casi llena afectará la fuerza de aspiración y puede causar el calentamiento excesivo del motor y dañarlo. Una buena medida es cambiar la bolsa de filtro cada 30 días aunque no esté totalmente llena.
- No aspirar material húmedo ni líquidos.
- Limpiar la aspiradora con un paño húmedo (pero no mojado) en la cavidad de la bolsa desechable y el exterior del aparato.
- **SISTEMA DE PROTECCION DEL MOTOR:** Cuando se recogen o aspiran materiales finos como hollín, cemento, polvo de yeso, polvo de máquinas copadoras, etc., la superficie de la bolsa puede obturarse y el motor se apagará para evitar el recalentamiento. Si esto sucede, apague el interruptor y desenchufe la aspiradora. Cambie la bolsa de filtro, verifique si hay atascos en la manguera o en los accesorios y despijelo. Después de unos 30 minutos aproximadamente, el motor se habrá enfriado y la aspiradora estará lista para usarse.

NOTA: La aspiradora debe permanecer desenchufada durante 30 minutos para que el motor se enfríe y el sistema de reposición.

INSTRUCCIONES IMPORTANTES DE SEGURIDAD

Cuando utilice un aparato eléctrico, siempre debe seguir precauciones básicas, incluyendo las siguientes:

LEA TODAS LAS INSTRUCCIONES ANTES DE USAR ESTA ASPIRADORA



ADVERTENCIA

Para reducir el riesgo de incendio, descarga eléctrica o lesiones:

- No deje el aparato sin atender cuando esté conectado. Desconéctelo de la toma de corriente cuando no esté en uso y antes de darle servicio.
- No la use en exteriores ni en superficies mojadas.
- No permita que se use como juguete. Es necesario poner mucha atención cuando la usen los niños o cuando se use cerca de ellos.
- Usela solamente como se describe en este manual. Utilice solamente los aditamentos recomendados por el fabricante.
- No la use con el cordón o clavija dañados. Si la aspiradora no funciona como debería, si se ha caído, dañado, dejado en exteriores, o dejado caer en agua, envíela a un centro de servicio o llame a servicio a clientes al:

US: 1-800-989-3535

Canada: 1-888-676-7325

- No tire de ella ni la mueva por el cordón, ni use el cordón como asa, no cierre la puerta sobre el cordón, ni jale el cordón alrededor de bordes o esquinas afiladas. Mantenga el cordón lejos de las superficies calientes.
- No opere el aparato sobre el cordón.
- No lo desconecte jalando el cordón. Para desconectarlo, tome la clavija, no el cordón.
- No manipule la clavija ni el aparato con las manos mojadas.
- No ponga objetos pesados en las aberturas. No lo use con alguna abertura bloqueada; manténgalo libre de polvo, pelusa, cabello y cualquier cosa que pueda reducir el flujo de aire.
- Mantenga el cabello, ropa suelta, dedos y todas las partes del cuerpo lejos de las aberturas y partes móviles.
- No la use para que aspire cualquier cosa que se esté quemando o arrojando humo, como cigarrillos, cerillos o cenizas calientes.
- No la use sin el ensamblaje de la bolsa de filtro en su lugar.
- Apague todos los controles antes de desconectarla.
- Tenga cuidado especial cuando limpie alguna escalera.
- No la use para aspirar líquidos inflamables o combustibles, como gasolina o líquido para encendedores, ni la use en áreas donde puedan estar presentes.
- No use el aparato en espacios cerrados donde puedan emanarse vapores inflamables, explosivos o tóxicos por pintura a base de aceite, adelgazador de pintura, algunas sustancias a prueba de moho, o en un área donde haya presente polvo inflamable.
- No aspire con este aparato material tóxico como blanqueador con cloro, limpiador de drenajes, gasolina, etc.

GUARDE ESTAS INSTRUCCIONES

Sólo para uso casero

Garantie

ORECK MANUFACTURING COMPANY: (ORECK le ofrece la siguiente garantía limitada para este producto solamente si se compró originalmente para usarse, no para revenderse, de ORECK o de un distribuidor minorista autorizado por ORECK.)

ORECK reparará o reemplazará, sin cargo, al comprador original, cualquier parte que se encuentre como defectuosa en material o mano de obra durante (3) años a partir de la fecha de compra y (10) años en el bastidor. Cualquier uso comercial de este producto anulará esta garantía limitada.

Las piezas sujetas a desgaste normal no están cubiertas por esta garantía limitada.

Las correas de impulsión, cepillos revolventes, bombillas, bolsas desechables y otras piezas sujetas al desgaste normal no se cubren con esta garantía limitada.

Esta garantía limitada no aplica para cualquier parte sujeta a accidente, abuso, al uso comercial del abuso, alteración, uso indebido, daños provocados por incendio o causas de fuerza mayor, uso de voltajes diferentes a los indicados en la placa del número de serie de este producto, o el servicio de este producto por alguien que no forme parte de ORECK o de un centro de servicio autorizado de fábrica de ORECK.

La garantía limitada de ORECK no autoriza a cualquier persona o representante a asumir u otorgar cualquier otra obligación de garantía con la venta de este producto.

La garantía limitada de ORECK es válida solamente si mantiene su comprobante de compra para este producto de ORECK o de un distribuidor minorista autorizado por ORECK. Si compra este producto de cualquier otra fuente, su compra es "TAL CUAL", lo que significa que ORECK no le otorga garantía alguna, y que usted, no ORECK asume el riesgo total de la calidad y el desempeño de este producto, incluyendo el costo total de cualquier servicio o reparaciones necesarias de cualquier defecto.

La responsabilidad por daños de ORECK para usted por cualquier costo que surja por esta declaración de garantía limitada se limitará al monto pagado por este producto al momento de la compra original, y ORECK no será responsable de cualquier daño directo, indirecto, consecuencial o incidental que surja por el uso o incapacidad de uso de este producto.

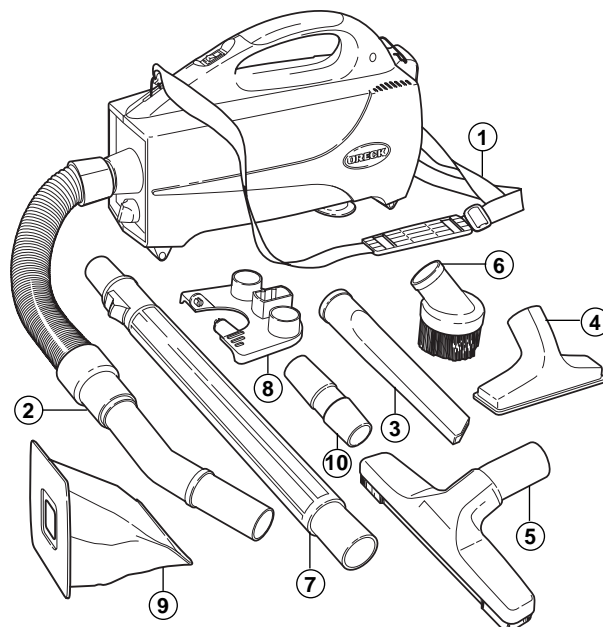
Algunos estados no permiten la exclusión o la limitación de daños incidentales o consecuentes, así que la limitación o exclusión anterior puede no aplicar para usted.

TODAS LAS GARANTÍAS expresas e implícitas para este producto, incluyendo las garantías implícitas de capacidad de comercialización y aptitud para un propósito en particular, están limitadas en duración al periodo de la garantía, y no aplican ninguna garantía, expresa o implícita, después de este periodo.

Algunos estados no permiten las limitaciones en la duración de las garantías implícitas, así que la limitación anterior puede no aplicar para usted.

Esta garantía le concede derechos legales específicos, y puede también tener otros derechos que varían de estado a estado.

Lista de accesorios



1. Correa ajustable para colgar del hombro
2. Manguera larga, flexible y alargable
3. Boquilla para hendiduras
4. Accesorio para telas
5. Accesorio de crin de caballo para pisos desnudos y paredes
6. Cepillo de crin de caballo para quitar el polvo
7. Tubo de extensión ajustable
8. Porta accesorios en la máquina
9. Bolsas de filtro de papel
10. Tubo adaptador para encajar los accesorios directamente a la aspiradora cuando no se usa la manguera.
 - Filtro HEPA (instalado)
 - Cartucho aromatizador (no se muestra)

Accesorios

Bolsas de hypo-allergenic filtro tratadas de repuesto (pqte. de 12 con 1 microfiltro)	# PKBB12DW
Microfiltro de repuesto	# 72005-01
Filtro HEPA de repuesto	# HF1000
Empaquetadura blanca de repuesto para bolsa	# 72017-02
Parrilla de alambre para accesorios	# BBRACK
Parrilla de vinilo para accesorios	# CADDYBB
Cartuchos aromatizadores Fresh Air®	
Notes of Vanilla® 12pk.	# FA1PK
Spring Mullberries® 12pk.	# FA2PK
Blooming Jasmine® 12pk.	# FA3PK

Para pedir piezas nuevas o accesorios, llamar al:

US: 1-800-989-3535

Canada: 1-888-676-7325

Ensamblaje

Instalación del portaaccesorios e inserción de los accesorios

- fig. 1** Ubique las ranuras para los clips del portaaccesorios encima de las esquinas superiores traseras del asa de la aspiradora. Coloque la máquina sobre una superficie firme antideslizante o sujétela en su regazo. Agarre el asa firmemente. Coloque una de las lengüetas del portaaccesorios dentro de la ranura en un lado del asa y estire la otra lengüeta alrededor del asa hasta que la lengüeta opuesta se inserte en la ranura.
- fig. 2** Inserte la boquilla para hendeduras, el cepillo y accesorio para telas en el portaaccesorios en los espacios provistos.
- fig. 3** El portaaccesorios se levanta 90° para tener acceso a la cubierta del filtro HEPA..

Correa para hombro

- fig. 4** Fije un extremo de la correa de hombro en la ranura delantera ubicada en la parte delantera del asa.
- fig. 5** Fije el extremo opuesto de la correa de hombro en la ranura en la parte trasera del asa.
- fig. 6** Ajuste el largo tirando la correa a través del clip.

IMPORTANTE: Antes de usar la correa de hombro, tire de ambos extremos para asegurarse que está bien firme.

Aviso de la clavija polarizada

Este producto viene equipado con una clavija polarizada para línea de corriente alterna (una clavija que tiene una espiga más ancha que la otra). Esta clavija solamente se ajusta de una sola manera en la toma de corriente. Esta es una característica de seguridad. Si no puede insertar la clavija completamente en la toma de corriente, intente invirtiendo la clavija. Si todavía no puede insertarla, llame a un electricista para que reemplace la toma de corriente obsoleta. No le quite el propósito a la clavija polarizada.

Instrucciones de operación

Enchufar el cordón en el tomacorriente.

Interruptor eléctrico

- fig. 7** Empujarlo a la posición "ENCENDIDO" (I).

Instalación de la manguera y accesorios

- fig. 8** La manguera flexible tiene un sistema de fijación 'Shurlock' que impide el retiro de la manguera a menos que se desee hacerlo. Para instalar la manguera, alinee la ranura "J" en el acople de la manguera con la lengüeta dentro de la boca de aspiración. Inserte la manguera en la boca. Gire el collar en sentido de las agujas del reloj para trabar el acople de la manguera en la boca. Gire en sentido contrario a las agujas del reloj y tire para desconectar la manguera.
- fig. 9** El tubo de extensión ajustable y los accesorios de limpieza suministrados con su aspiradora compacta Oreck XL se traban juntos por fricción. Gire y empuje para asegurarse que quedan bien trabados una vez instalados. Gire y tire para desconectarlos.
- fig.10** Cuando conecte los accesorios directamente a la boca de aspiración o de soplado sin usar la manguera, deberá instalar el tubo adaptador de accesorios.

Tubo de extensión ajustable

- fig. 11** Para ajustar el tubo de extensión, oprima el botón soltador y tire del tubo interior hasta dejarlo del largo deseado. El tubo se trabará al soltar el botón. Para acortarlo, oprima el botón soltador y empuje el tubo interior.

Para guardar el cordón eléctrico

- fig. 12** Enrolle el cordón alrededor del arollador y desenrollador del cordón ubicado en la parte inferior de la aspiradora. Para soltar el cordón, gire el desenrollador.

Boca de soplado

- fig. 13** Quite la cubierta del filtro HEPA y el filtro de la parte trasera de la máquina. Inserte firmemente la manguera flexible en la boca de escape.



Mantenimiento

ADVERTENCIA: Desconecte el cordón de la toma eléctrica antes de dar servicio.

Cambio de la bolsa de filtro

- fig. 14** Use solamente bolsas de filtro Oreck XL originales. Apoye la máquina sobre su parte trasera. Gire la perilla en sentido contrario a las agujas del reloj para soltar y retirar la placa delantera.
- fig. 15** Saque la bolsa vieja e inserte una nueva. El aro de cartón encaja suavemente en la parte superior rebajada. Alinee las lengüetas en la placa delantera con las ranuras en la caja y coloque la placa. Cierre la máquina girando la perilla en sentido de las agujas del reloj.
- fig. 16** **IMPORTANTE:** La junta blanca de la bolsa pegada a la caja debe estar en su lugar para que la máquina funcione correctamente. Reemplácela según sea necesario.

NOTA: Se recomienda cambiar la bolsa de filtro interior desechable una vez al mes aunque no esté llena. Cámbiela más frecuentemente si se utiliza la aspiradora en lugares muy sucios. **Aumente el poder de limpieza de su máquina cambiando la bolsa frecuentemente.**

Reemplazo del microfiltro

Para sacar la bolsa de filtro siga las instrucciones en la sección Cómo cambiar la bolsa de filtro.

- fig. 17** Saque el microfiltro viejo de la parte inferior dentro de la máquina. Reemplace con un filtro nuevo.

NOTA: En cada paquete de 12 bolsas de filtro Oreck XL se incluye un filtro de repuesto, o si lo desea puede pedir filtros de repuesto separadamente.

Uso del filtro HEPA y cartucho aromatizador

- fig. 18** Para quitar la cubierta del filtro HEPA de la parte posterior de la máquina, ejerza presión en la ranura superior y pliegue hacia atrás la cubierta. Levante la cubierta para retirarla.
- fig. 19** Inserte el cartucho aromatizador Fresh Air™ en la lengüeta ubicada en el centro de la cubierta del filtro.
- fig. 20** Coloque el filtro HEPA en la cubierta del filtro.
- fig. 18** Para instalar el filtro HEPA en la aspiradora, coloque el labio inferior de la cubierta en la ranura interior de la aspiradora y cierre la cubierta hasta que el pestillo superior quede trabado.

NOTA: Se recomienda cambiar el cartucho aromatizador cada vez que se cambia la bolsa de filtro interior.

Reemplace el filtro HEPA cada 6 meses y más frecuentemente si utiliza la aspiradora en lugares muy sucios o para aspirar partículas finas.

Mantenimiento y servicio a clientes

Su aspiradora compacta Oreck es un producto construido con precisión. Los cojinetes del motor están lubricados permanentemente y no debe ponerles aceite. Si requiere información adicional o si tiene problemas con su aparato ORECK, puede llamar al servicio a clientes de ORECK al:

US: 1-800-989-3535

Canada: 1-888-676-7325

Por favor especifique el número de modelo y el número de serie/código, el cual se puede encontrar en la placa de datos en la parte posterior de la aspiradora.

Guarde su recibo de ventas o de compra. En caso que su aparato ORECK necesitara servicio de garantía en los EE. UU., presente este recibo en el centro de servicio autorizado como su comprobante de fecha de compra, o en Canadá, llame a servicio a clientes.

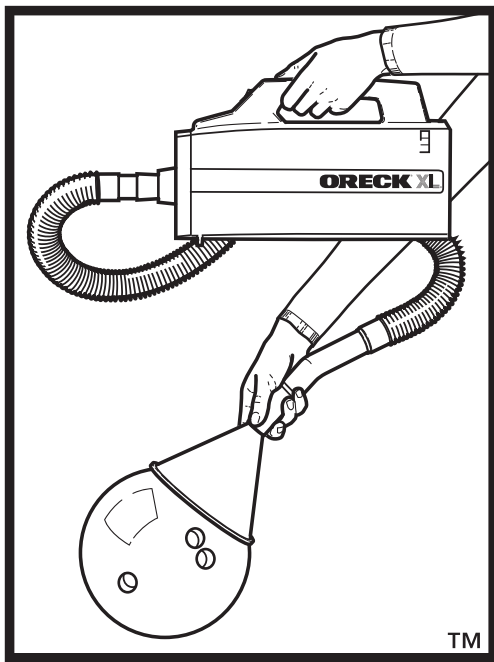
Guía para identificación de problemas

PROBLEMA	POSIBLE CAUSA	AREAS A VERIFICAR
La aspiradora no funciona	1. Está mal enchufada. 2. No hay electricidad en el tomacorriente. 3. El protector del motor se activ. 4. Necesita servicio.	1. Asegurarse de enchufar firmemente la aspiradora al tomacorriente en la pared. 2. Revisar el fusible o interruptor automático en el tablero de energía eléctrica. 3. Vea la sección Sistema de protección del motor en la página 10. 4. Llevarla o llamar al centro de servicio más cercano.
La aspiradora no aspira o tiene poca fuerza de aspiración	1. La bolsa de filtro está llena. 2. Manguera/tubo de extensión está obturado. 3. Escape de aire debido a que falta la empaquetadura o está dañada.	1. Cambiar la bolsa. Ver "Para cambiar la bolsa de filtro," en la página 12. 2. Quitar las obstrucciones. 3. Cambiar la empaquetadura. Ver la página 12.
Accesorios/tubos de extensión no se mantienen conectados	1. No se obtiene buen ajuste por fricción.	1. Empujar y girar los tubos o accesorios.

**APPELEZ LE SERVICE TÉLÉPHONIQUE GRATUIT
D'ASSISTANCE À LA CLIENTÈLE
US: 1-800-989-3535 Canada: 1-888-676-7325**

Lorsque vous téléphonez, n'oubliez pas de noter le numéro de modèle et le numéro de série de l'appareil, lesquels figurent sur sa plaque signalétique.

**TOUTES LES AUTRES RÉPARATIONS DOIVENT ÊTRE
FAITES DANS UN CENTRE DE RÉPARATION AUTORISÉ.**



**STRONG ENOUGH TO PICK UP
A 16-LB BOWLING BALL.™**